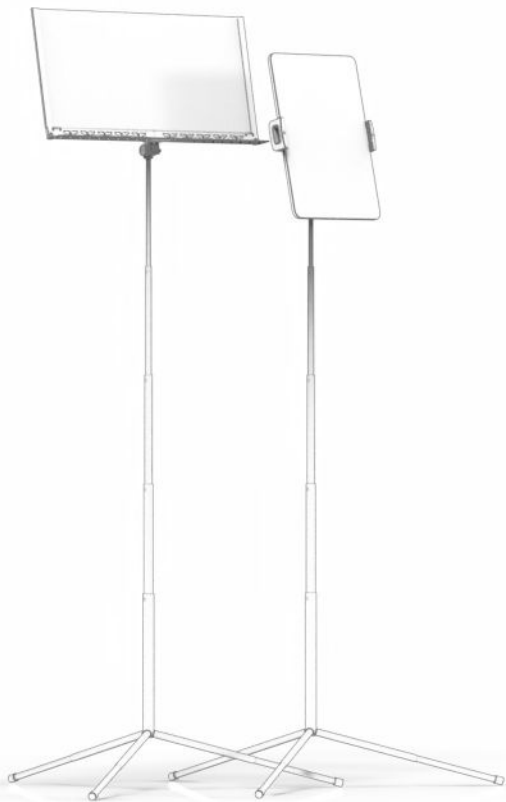


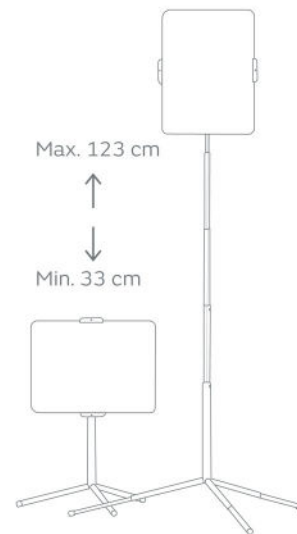
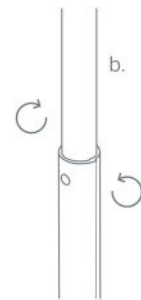
MINIPUT

THE ULTIMATE TRIPOD



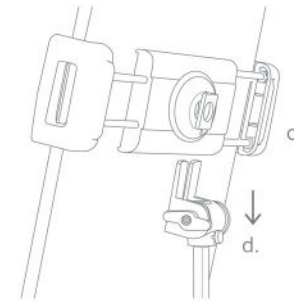
1. HOW TO ASSEMBLE THE POLE

1. Start by screwing the three feet (a) into the pole. Ensure that the thread is aligned correctly before screwing in the foot. CAUTION: Not aligning the threads may cause damage.
2. The pole (b) consists of 5 individual sections. Adjust the pole to your preferred height with the twist-and-lock mechanism. Hold the upper section with one hand and twist counterclockwise. Simultaneously twist the lower section clockwise with the other hand.
3. Pull out the feet for more stability. Adjust the length of the feet with the twist-and-lock mechanism.



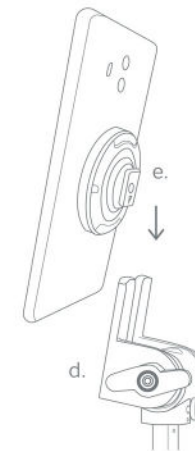
2. THE TABLET HOLDER

1. Pull on both sides of the tablet holder (c) and insert smartphone or tablet into the tablet holder.
 2. Slide the tablet holder into the connector (d) with the arrow pointing towards the ground. Ensure that the tablet holder is inserted fully and securely.
 3. Set to the desired angle by using the angle knob on the connector.
 4. Turn to switch between landscape and portrait mode.
- The tablet holder is suitable for tablets with a width of up to 25cm.



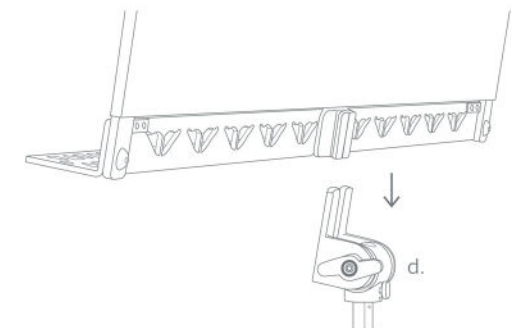
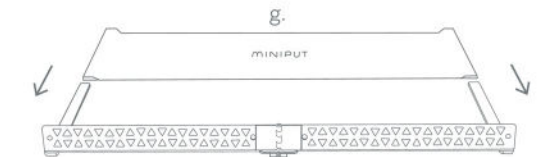
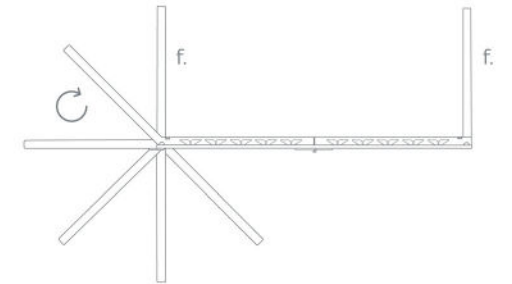
3. THE MAGSAFE SMARTPHONE HOLDER

1. Align the device's built-in magnets with the corresponding MagSafe magnet on the smartphone holder. If your smartphone does not have a MagSafe feature, use the supplied self-adhesive magnetic ring.
2. Slide the smartphone holder (e) into the connector (d) with the arrow pointing towards the ground. Ensure that the smartphone holder is inserted fully and securely.
3. Set to the desired angle by using the angle knob on the connector.



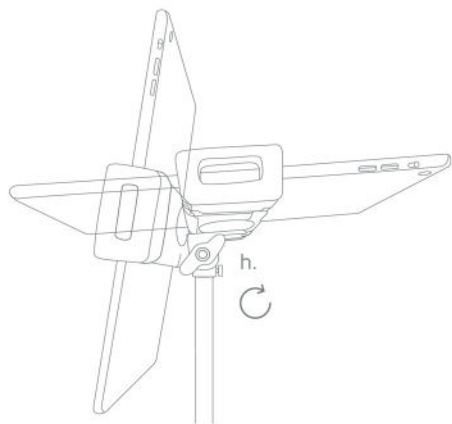
4. THE TABLETOP

1. Unfold the tabletop from the middle.
2. Turn the two lateral arms (f) at the end of the tabletop so that both arms point upwards.
3. Pull the textile panel (g) over the two arms. Make sure to pull the textile panel down evenly and simultaneously to avoid overstretching the textile. CAUTION: Not pulling down the textile evenly may damage or deform the tabletop arms.
4. Slide the tabletop onto the connector (d). Ensure that the tabletop is inserted fully and securely.
5. Set to the desired angle by using the angle knob on the connector.



5a. ADJUSTING THE ANGLE

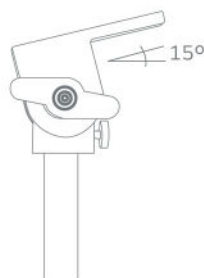
1. Set to the desired angle using the angle knob (h) on the connector.
2. Ensure to tighten the screw securely.



5b. CAUTION

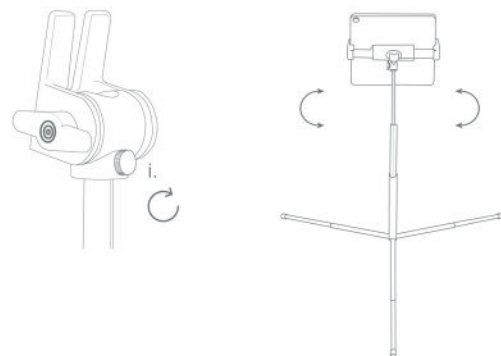
The connector is made to tilt up to 15°. Tilting past 15° may cause the tabletop/tablet/smartphone to slip out of the connector.

The *miniput* can securely carry a weight of up to 1kg. Always test first if the *miniput* can hold securely with anything over 1kg.



6. THE ROTATION ADJUSTING SCREW

1. The *miniput* has the unique feature of allowing the tablet / smartphone to rotate without having to reposition the entire music stand.
2. To lock the rotation, turn the rotation adjusting screw (i) clockwise. To allow the tabletop or tablet to rotate more easily, turn the adjusting screw counter-clockwise.



7. ADD-ON: BLUETOOTH CAMERA SHUTTER

1. Turn on bluetooth camera shutter. The LED indicator will start flashing.
2. Enable bluetooth on smartphone. Search for available devices. When bluetooth camera shutter appears in the list of available devices, tap to pair it.
3. Now, the bluetooth camera shutter can be used as a remote control for the smartphone's camera. Press the shutter button to take photos or videos.

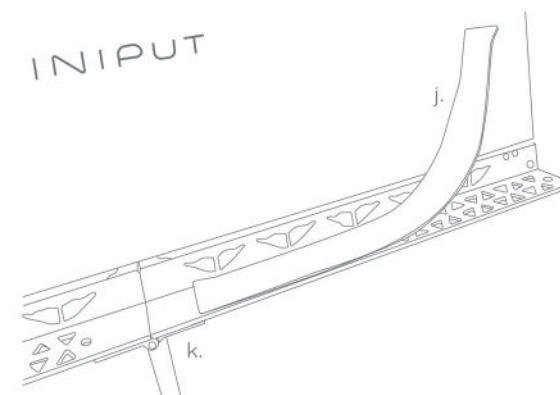
Compatible with iOS and Android. Range: 10m. Battery: 1x CR2032 button cell



8. ADD-ON: ANTI-SLIP BAND

1. Clean the stand thoroughly.
2. Peel off the strip and tape the anti-slip band (j) onto the desired position.

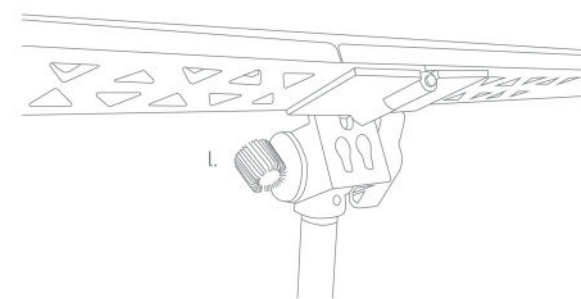
CAUTION: Placing the anti-slip band too close to the hinge (k) prevents it from properly closing.



9c. ADD-ON: PEN-HOLDER (SELF-ADHESIVE)

1. Clean the stand thoroughly.
2. It is recommended to stick the self-adhesive pen-holder (l) onto the left side of the connector (see picture).

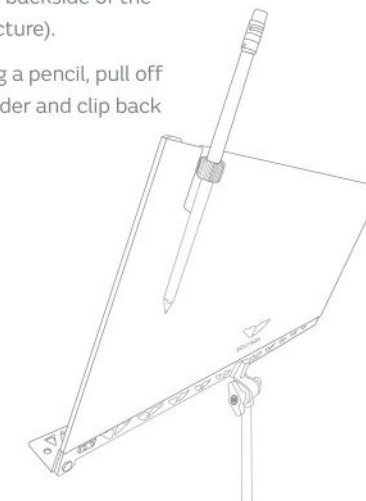
TIP: Sticking this pen-holder anywhere on the tabletop may prevent it from closing properly.



9b. ADD-ON: PEN-HOLDER (CLIP)

1. It is recommended to clip the pen-holder onto the backside of the textile panel (see picture).

USER'S TIP: When using a pencil, pull off with the entire pen-holder and clip back on when done.



DISCLAIMER

DOLFINOS is not liable for any damages caused by the application and use of the product, to the instrument, to the electrical devices, other property, and person.

DOLFINOS is not liable if damage is caused to the product itself, the instrument, the electrical devices, other property or person as a result of improper assembly and/or adjustment of the product.

Would you like to get in touch with us:
miniput@dolfinos.com
+41 (0) 56 222 66 33

Visit us also on:

